

# Make Your Own Hardcover Picture Book-The Peter Brown Way

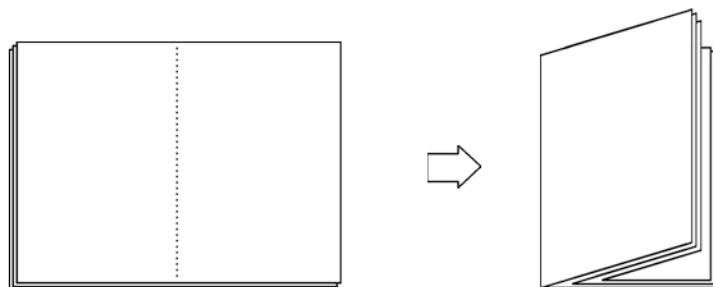
I made my first picture book when I was six years old (with some help from my Mom). I had a great time and you can have fun making your own books too. There are many ways to make books, this is just one way. You'll need these materials:

1 rectangular piece of corrugated cardboard (10x12 inches)  
Several sheets of blank paper (8.5x11 inches)  
Hole puncher  
20 inches of thread  
Craft paste or glue  
One silly imagination

Optional Materials:

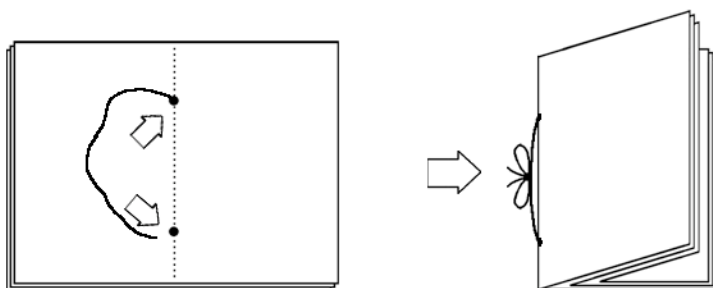
Contact Paper (decorative paper that's sticky on one side)  
Pens, pencils, markers, crayons, paint, stickers, etc.  
Parents and teachers (although I find they can be quite handy)

1. Start off by folding a stack of several sheets of paper in half so that you make a crisp crease. These sheets will be the pages of your book. Keep in mind that each sheet equals about 4 pages of your final book, so make sure to use enough paper.

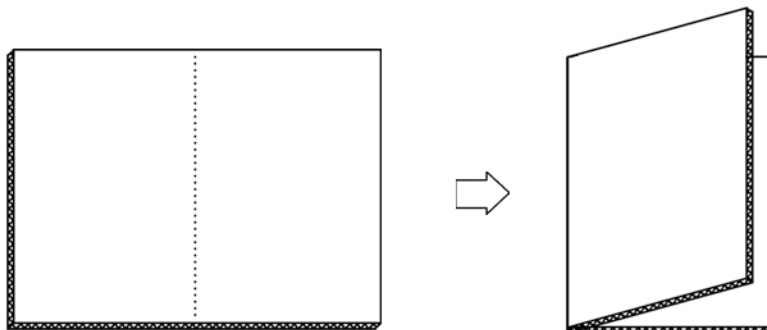


2. Next, unfold the sheets of paper. Keeping all the sheets neatly stacked, punch two holes along the crease. Make sure the holes are punched through all of the sheets of paper.

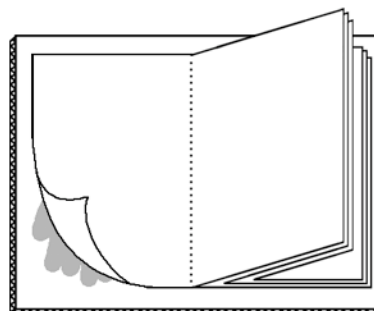
Slide one end of your thread through the holes of one side of the stack of paper and the other end through the holes on the other side. Tie the ends in a tight knot so the knot is along the "spine" of the folded papers as shown. For extra durability loop the thread through the holes several times before tying the knot.



3. Now you want to fold your piece of cardboard in half as shown. This will be the book cover.



4. Spread paste (or glue) on the inside of one half of the book cover. Making sure the spine of the paper is flush with crease of the cardboard, firmly press the outside piece of paper on to that pasted area as shown. Repeat this for the other side of the book. Make sure the paste is dry before continuing.



5. Now you have a basic hardcover book. At this point you can be as creative as you want to make your book fun and unique. I recommend completely wrapping the cover with colorful contact paper, so that even the pasted sheets of paper in the inside cover are hidden. Then you can draw and write all over the pages and the cover of your book.

I also recommend taking some time to plan your book. What kind of fun story can you think up? What do you want your characters to look like? Think about what parts of your story you should write with words and what parts you can show with pictures. Now go turn that boring paper and cardboard into YOUR stupendous picture book!

see what else i'm up to at my website: [www.somebrownstuff.com](http://www.somebrownstuff.com)

